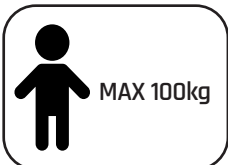


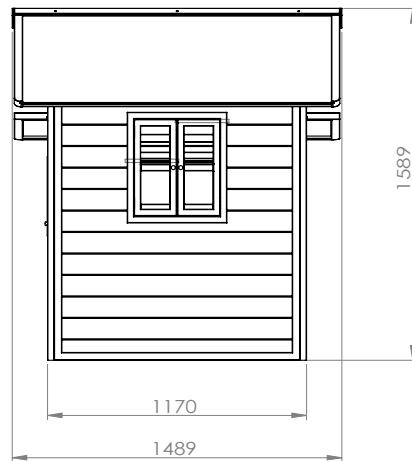


Playhouse

EXIT Loft 150



EXIT Loft 150





EXIT Loft / Front & Back 68.05.10.00/68.05.11.00/68.05.12.00/68.05.13.00/68.05.14.00 Box 1

1	2	3	4
68.07.03.94 1X	68.07.33.03 1X *	68.07.10.01 10X	68.07.10.04 5X
5	6	7	*
Ø3.5x40 10X	Ø5x50 12X	Ø4x50 8X	Tool 1X
50.99.90.20 1X			

EXIT Loft / Side 68.04.15.00/68.04.16.00/68.04.17.00/68.04.18.00/68.04.19.00 Box 2

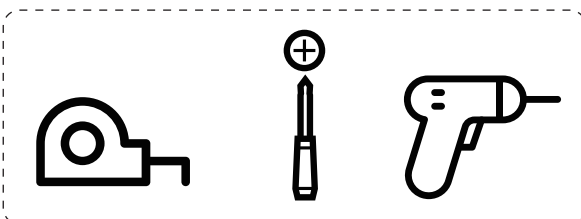
8
68.07.03.95 1X *

EXIT Loft 100 / Roof (Grey) | 68.01.20.01 | Box 3

9	10	11
68.07.13.01 2X*	50.99.90.24 1X	50.99.90.25 2X

EXIT Loft Attachment | 68.55.10.00/68.55.11.00/68.55.12.00 | Box 4
Side + Roof panels | 68.55.13.00/68.55.14.00

12	13	14	15
68.07.03.91 1X	68.07.03.01 1X	68.07.03.02 1X	68.07.03.03 1X*
16			
68.07.10.06 4X			
7	17		
Ø4x50 5X	Ø4x25 24X		
50.99.92.15 1X			



* BOX REFERENCE: XX.XX.XX
PRODUCTION ID: XXX XXX

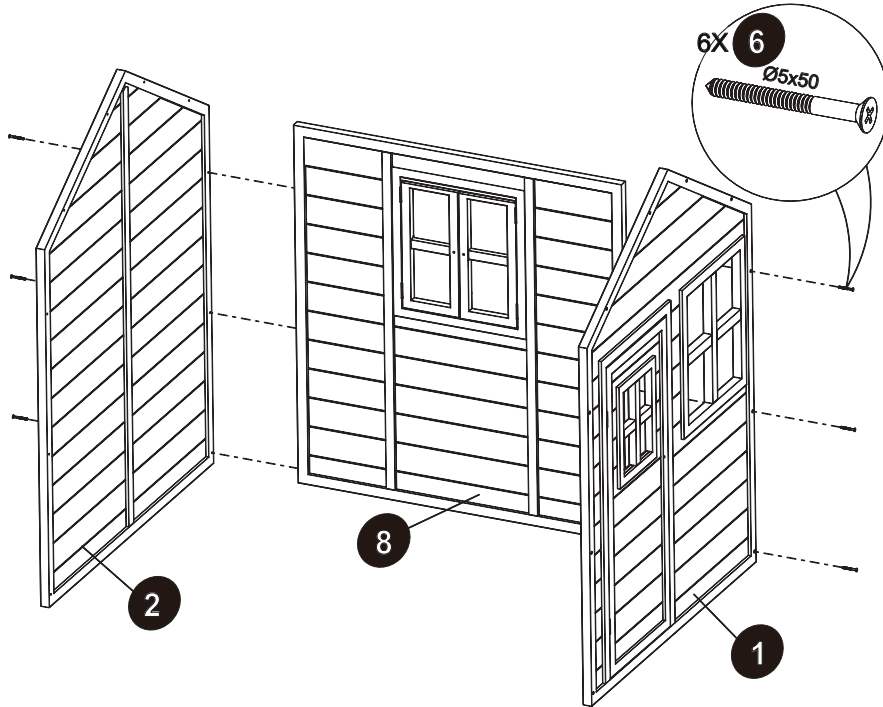


Playhouse

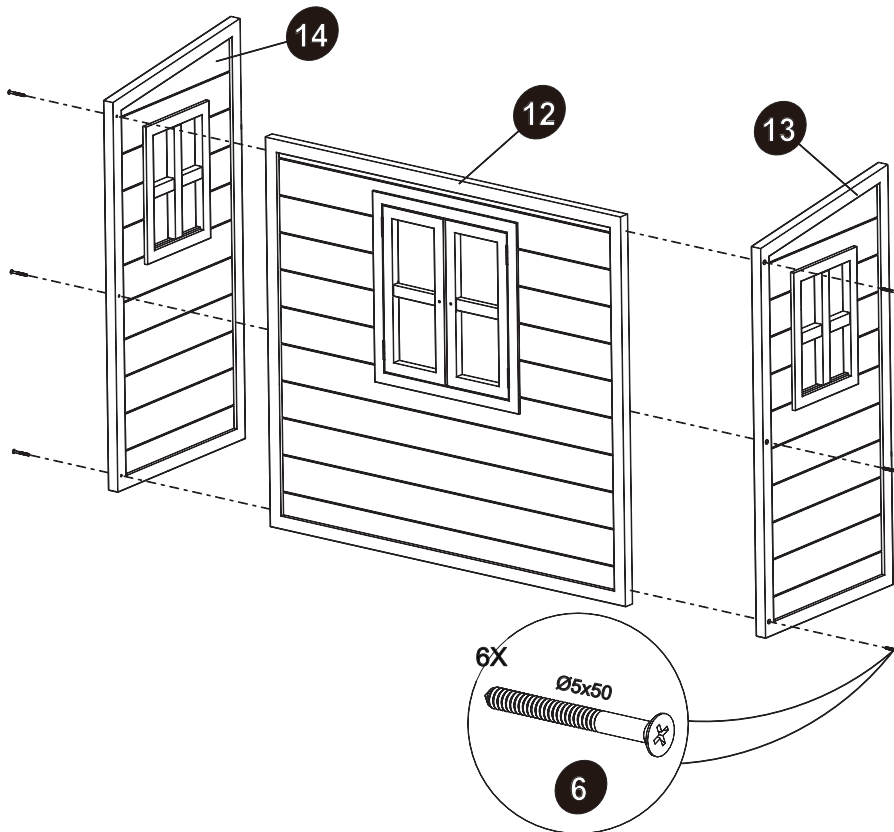
EXIT Loft 150



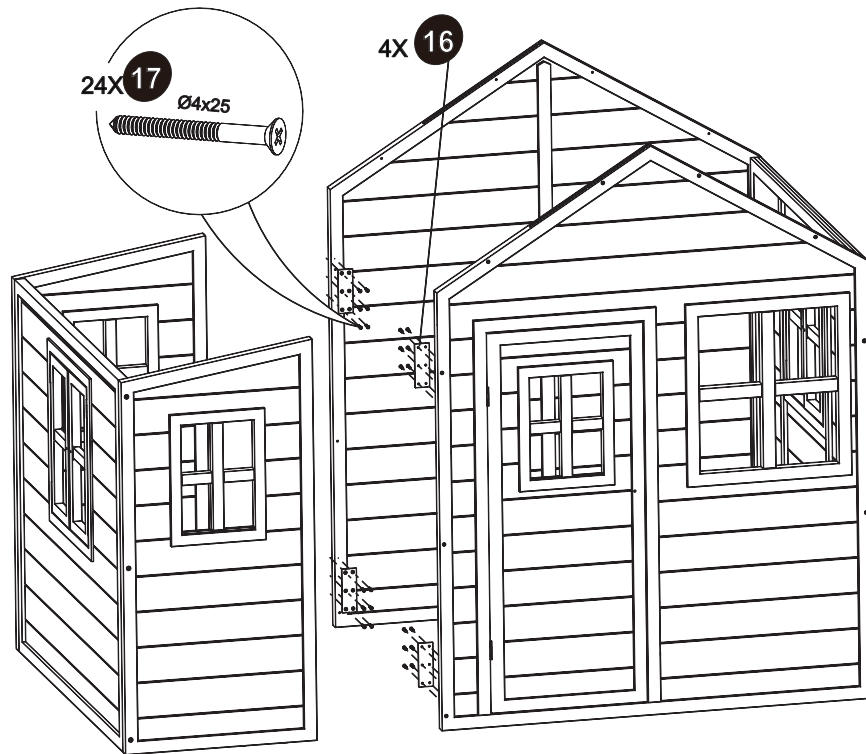
1



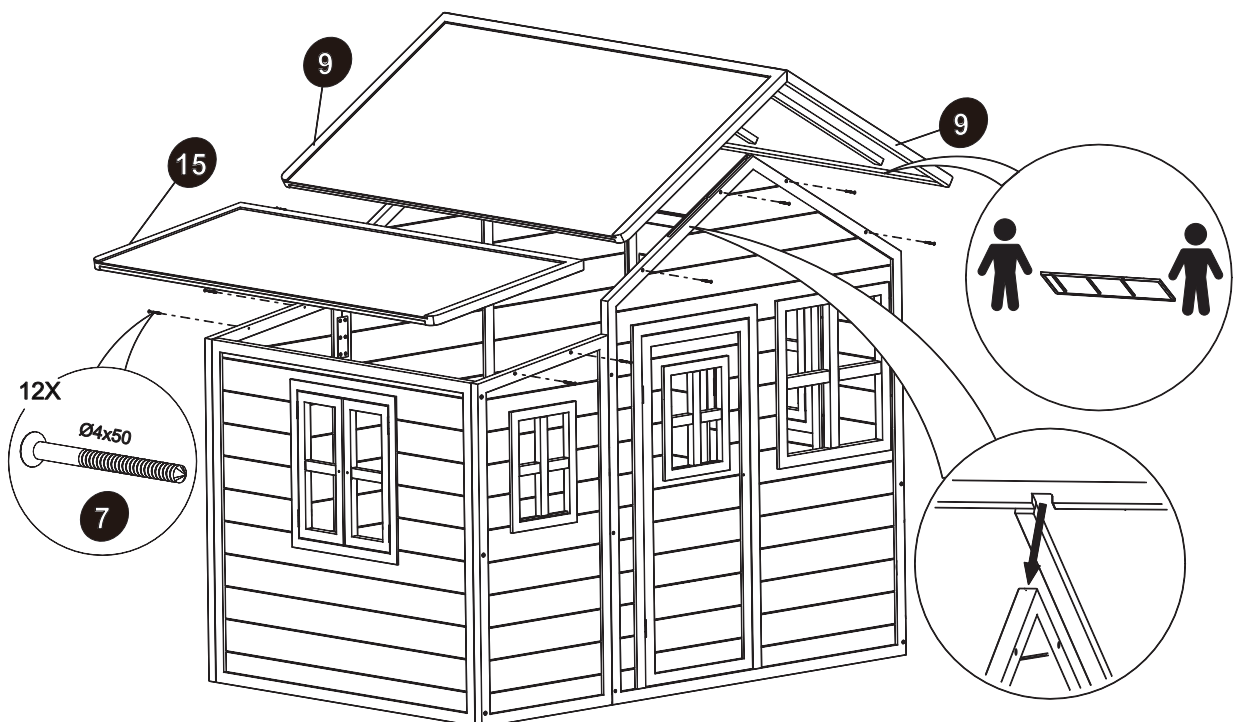
2



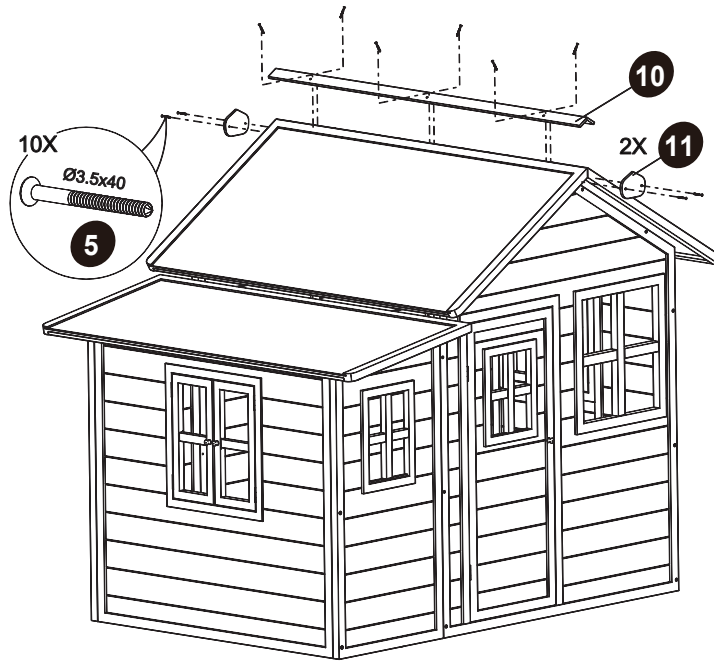
3



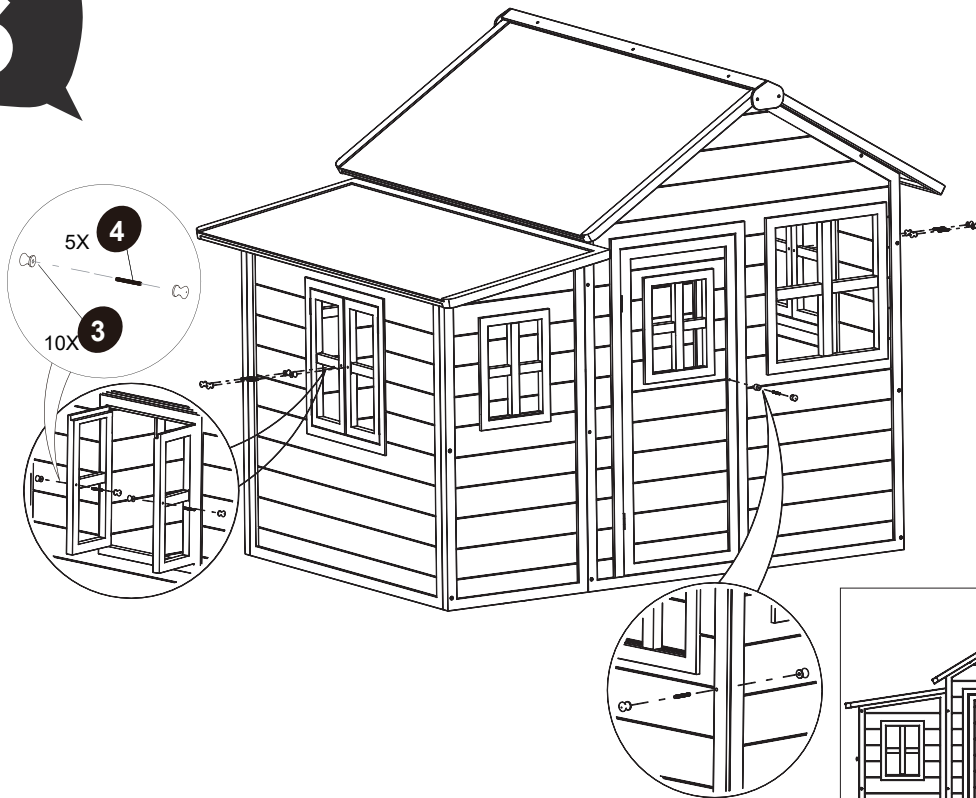
4



5



6

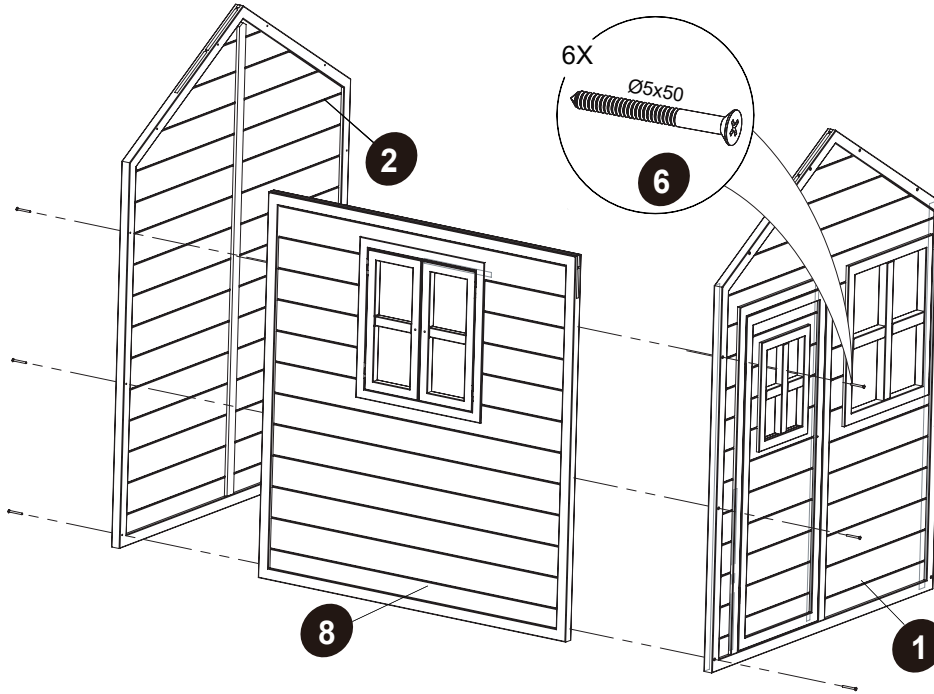


Playhouse

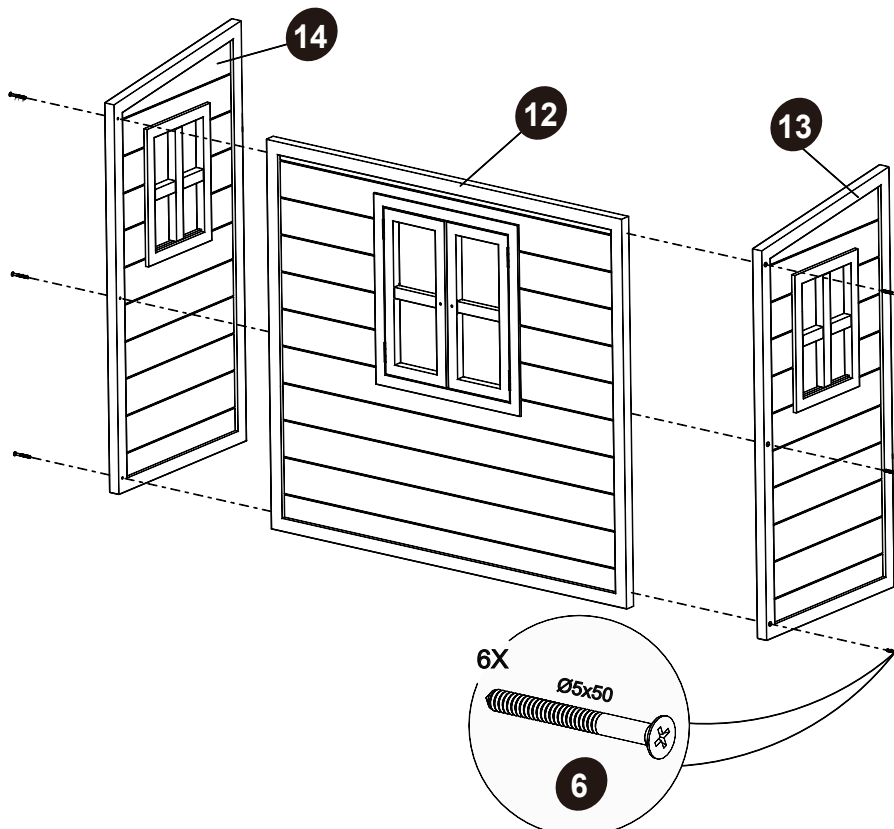
EXIT Loft 150



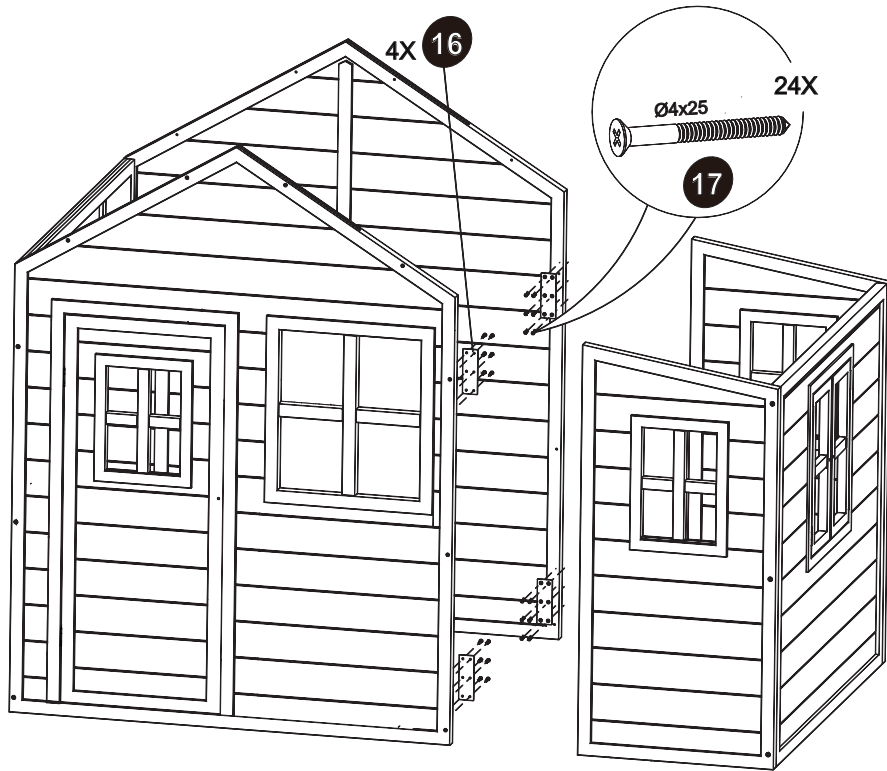
1



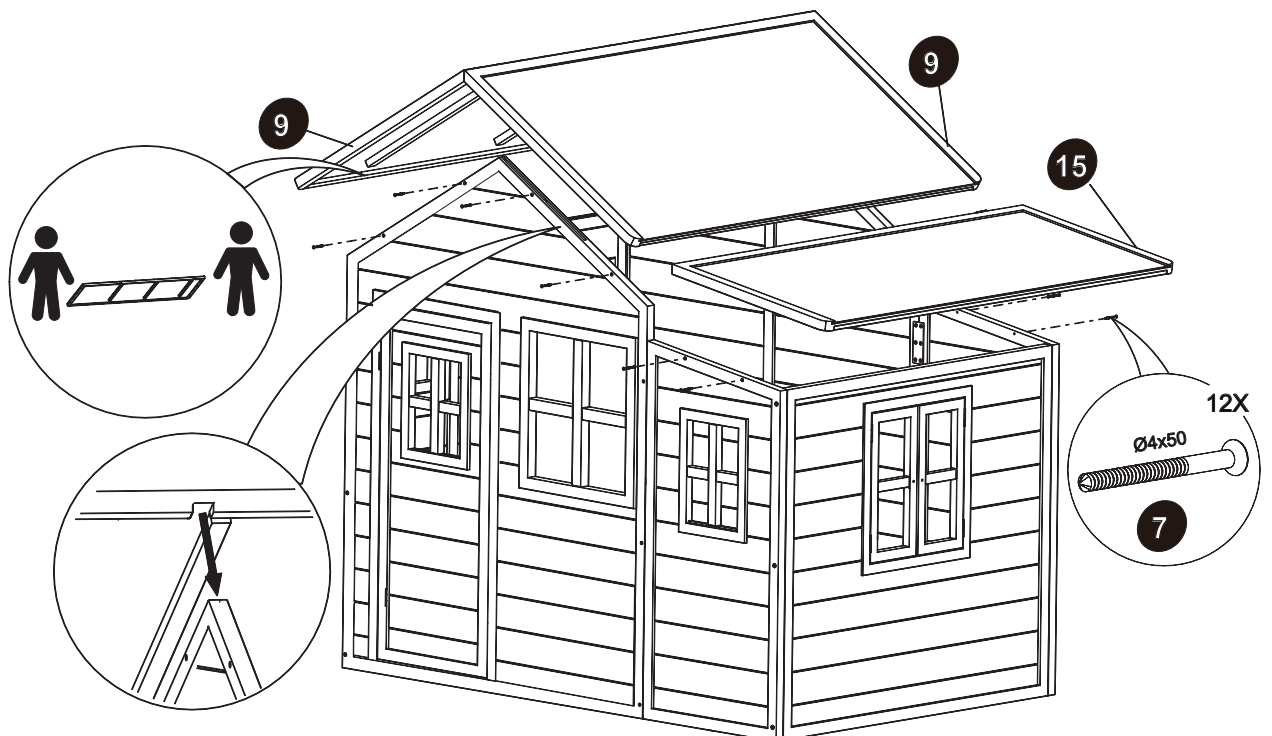
2



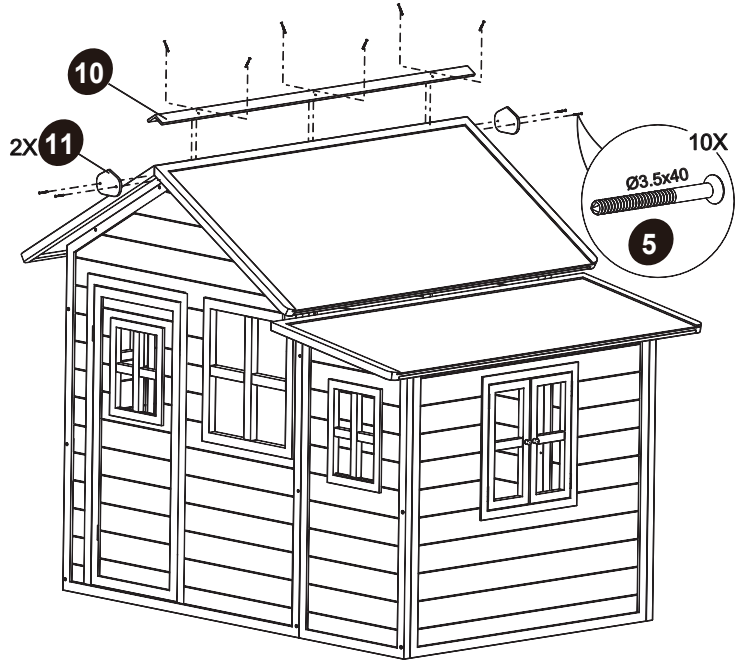
3



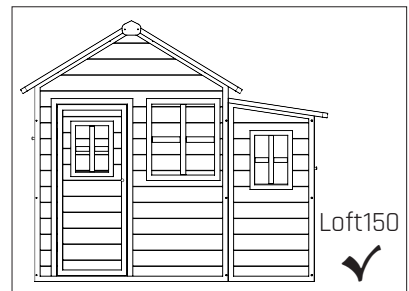
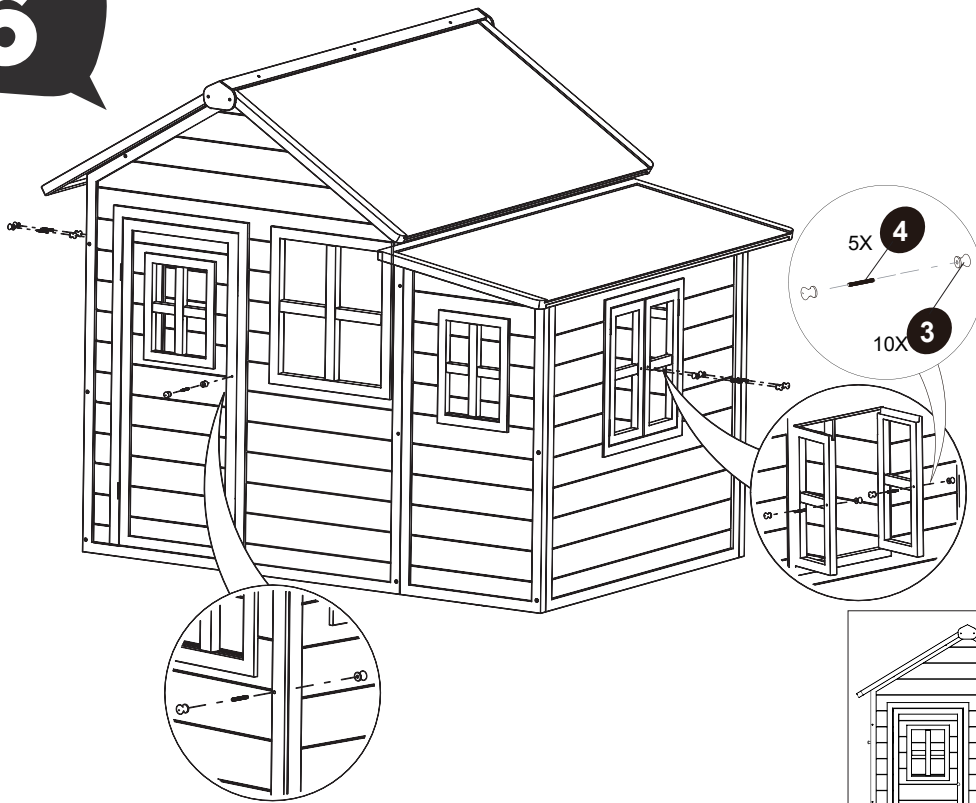
4



5



6



Playhouse

EXIT Loft 150



Playhouse

EXIT Loft 150



www.exittoys.com



Contact Information:

Dutch Toys Group B.V.
Edisonstraat 83
7006 RB Doetinchem, The Netherlands

info@exittoys.com
www.exittoys.com

EXIT Toys is part of:

SIMBA · DICKIE · GROUP

EXIT Toys is a registered trade mark of Dutch Toys Group